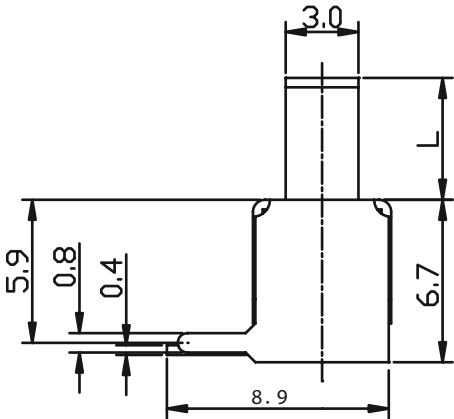
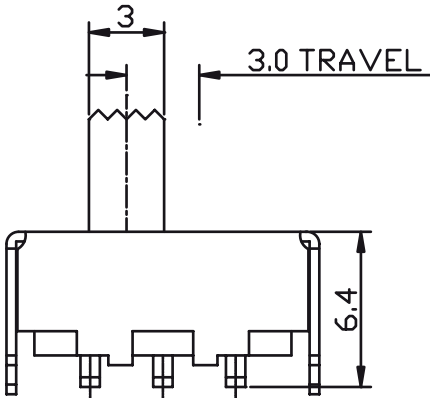
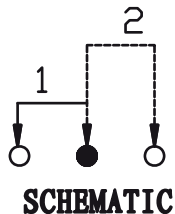
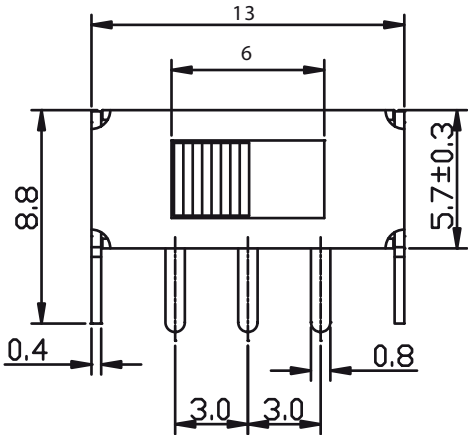


SPECIFICATIONS

Rating: 0.3A 50VDC
 Contact Resistance: 50MΩ max
 Insulation Resistance: 500VDC 100MΩ Min
 Dielectric Strength: 100V AC 1 Minute
 Operating Force: 100gf~800gf
 Electrical Life : 10,000 cycles



Travelling					
C	D	E	F	G	H
1.5	2.0	2.5	3.0	3.5	4.0
I	J	K	L	N	P
4.5	5.0	5.5	6.0	7.0	8.0

Knob Type					
RG	G	TG	VG	EG	CG

General description of ordering code

FAMILY	MODEL	POLE/TROW	TRAVELLING	SEQUENTIAL NO.	KNOB TYPE
EC7	-	SS04	12	F	23
			F	23	RG

(1P2T) Slide Switch Series



euro-conn



UNITS: mm		SHEET SIZE: ISO A4		SCALE: ----	
> 0 ~ 3	> 3 ~ 18	> 18 ~ 50	> 50 ~ 120		
± 0.12	± 0.15	± 0.3	± 0.5		

! I prodotti e le caratteristiche possono cambiare senza preavviso.
 The products and their features may change without notice.

SWITCHES