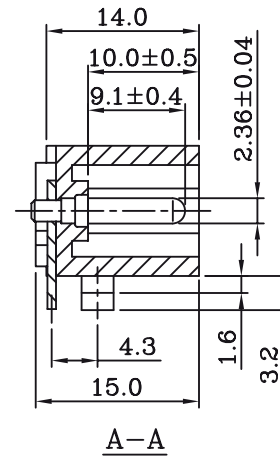
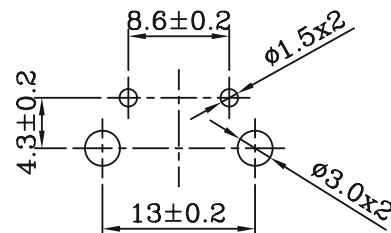
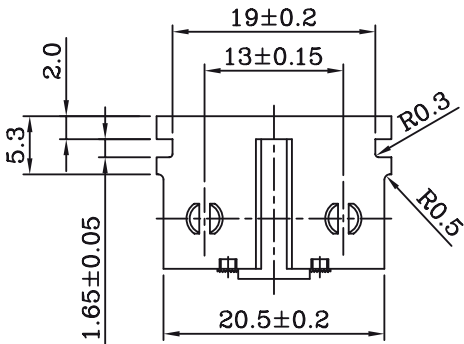
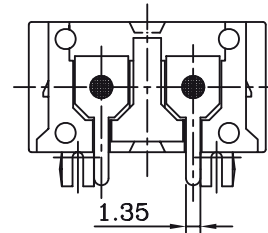
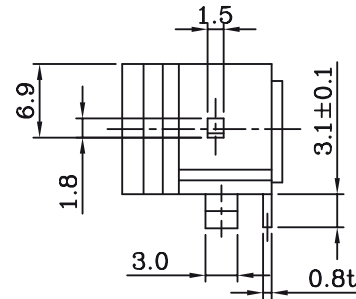
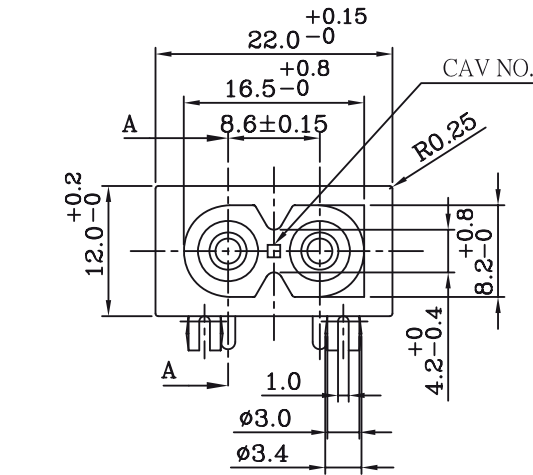


SPECIFICATION:

Standard: IEC 60320 C8
 Voltage rating: 250V AC
 Rating: 2.5A 250V AC
 Insulation Resistance: 100MΩ 500V DC/1 minute
 Dielectric Strength: 2000V AC/1 minute
 Temperature range: -45°C ~ +105°C

Material:

Housing Material: PBT UL 94V-0 or PA66/PC UL 94V-0
 Terminal: Brass ,plating Ni.



General description of ordering code

FAMILY	MODEL	VERSION	TYPE
EC	C8	AS	2227

C8 AC INLET



UNITS: mm		SHEET SIZE: ISO A4		SCALE: ----	
> 0 ~ 3	> 3 ~ 18	> 18 ~ 50	> 50 ~ 120		
± 0.12	± 0.15	± 0.3	± 0.5		

! I prodotti e le caratteristiche possono cambiare senza preavviso.
 The products and their features may change without notice.

AC POWER INLET