

**Material:**

Housing: 30% Glass filled PBT UL94V-0

Contacts: Phosphor Bronze

Pin Plated: Gold 3u" over 50u" nickel

**Electrical Characteristics:**

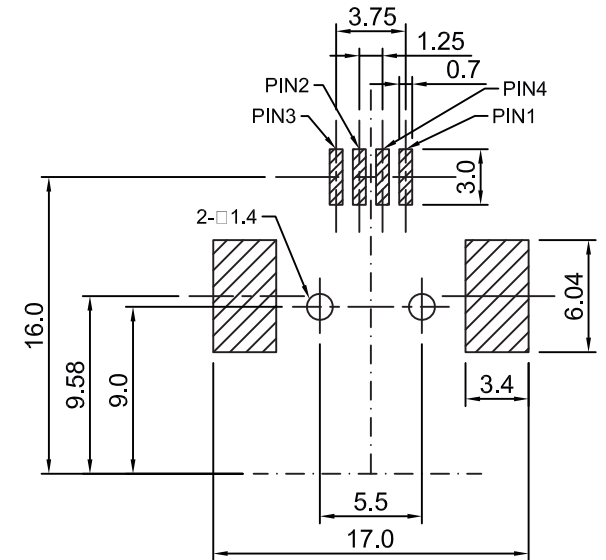
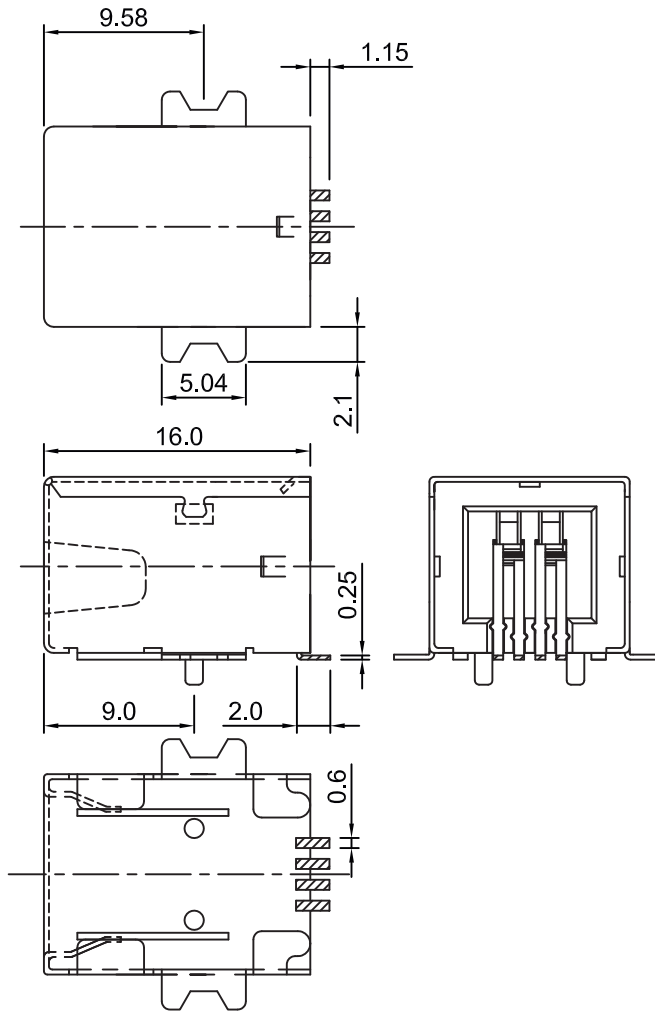
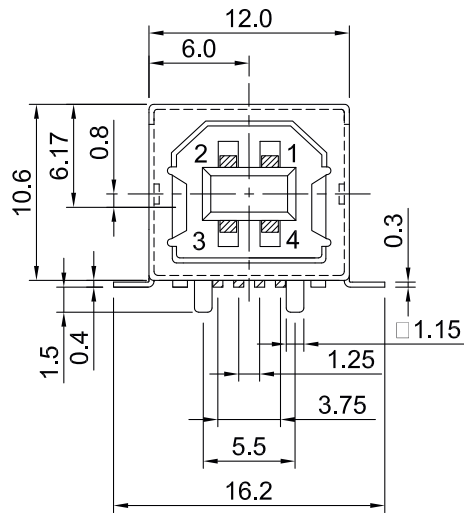
Current Rating: 1 AMP

Insulator Resistance: 1000M Ohm min. at 500 VDC

Dielectric Withstanding Voltage: 500 VAC / Minute

Contact Resistance: 30m Ohm max.

Temperature: -55°C ~+105°C



(COMPONENT SIDE)  
PCB LAYOUT

PN: **USB-B04NFFN**



**euro-conn**



UNITS: mm

SHEET SIZE: ISO A4

SCALE:

> 0 ~ 3

> 3 ~ 18

> 18 ~ 50

> 50 ~ 120

± 0.12

± 0.15

± 0.3

± 0.5

! I prodotti e le caratteristiche possono cambiare senza preavviso.  
The products and their features may change without notice.

**USB 2.0**