

Material:

Housing: 30% Glass filled PBT UL94V-0

Contacts: Phosphor Bronze

Pin Plated: Gold 3u" over 50u" nickel

Electrical Characteristics:

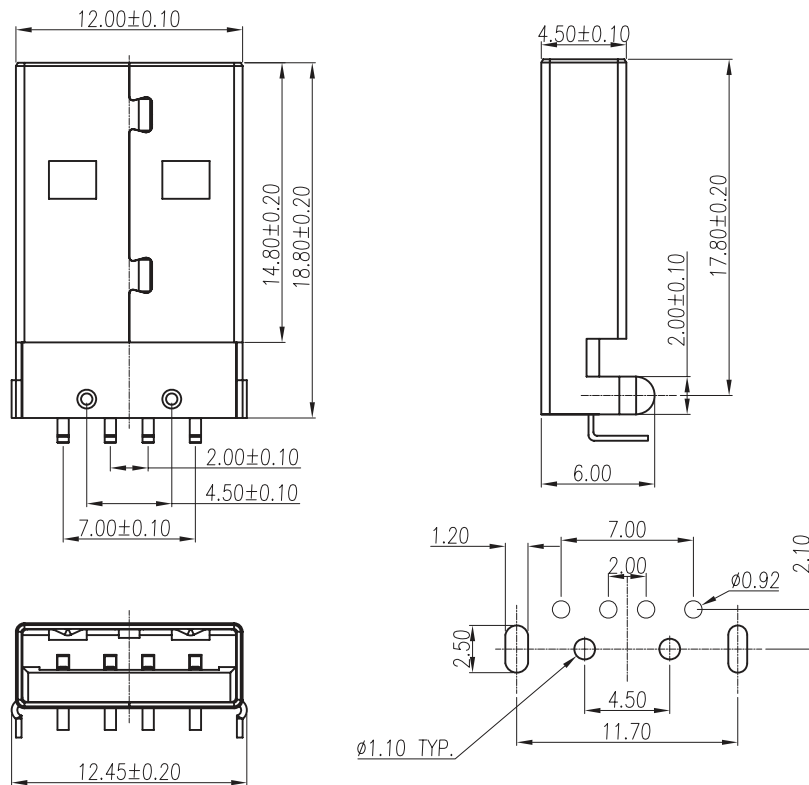
Current Rating: 1 AMP

Insulator Resistance: 1000M Ohm min. at 500 VDC

Dielectric Withstanding Voltage: 500 VAC / Minute

Contact Resistance: 30m Ohm max.

Temperature: -55°C ~+105°C



RECOMMENDED PCB LAYOUT

General description of ordering code

FAMILY	TYPE	POSITIONS	VERSION	OPTION	PACKAGE
USB	A	04	R	MFN	T [tube]
					V [tray]



euro-conn



UNITS: mm

SHEET SIZE: ISO A4

SCALE: ----

> 0 ~ 3

> 3 ~ 18

> 18 ~ 50

> 50 ~ 120

± 0.12

± 0.15

± 0.3

± 0.5

! I prodotti e le caratteristiche possono cambiare senza preavviso.
The products and their features may change without notice.

USB