

MATERIAL

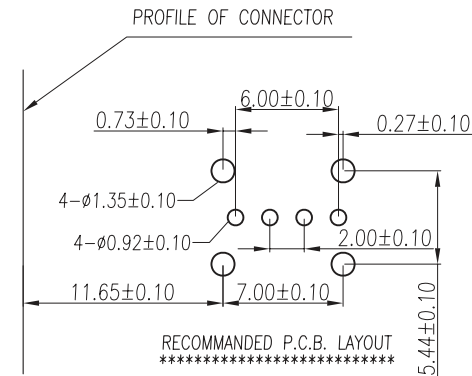
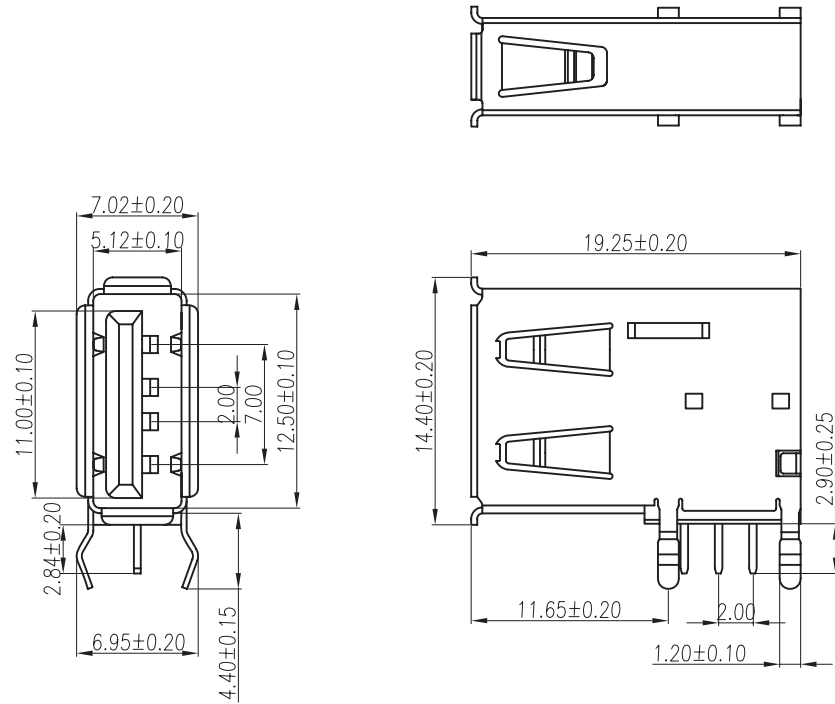
Insulator: PBT Rated UL94V-0
 Contacts: Brass
 Front Shell: Brass
 Back Shell: Cold Rolled Steel
 Pin Plated: Gold 3u" over 50u" nickel

ELECTRICAL

Current Rating: 1.5 Amps Max.
 Contact Resistance: 30 mΩ Max
 Insulation Resistance: 1000 MΩ Min
 Dielectric Withstanding Voltage: 500 VAC / Minute

MECHANICAL

Mating force: 3.57Kg Max. (35N)
 Unmating force: 1.02Kg Min (10N)
 Contact Retention: 0.3 Kg / Pin Min. (2.94N)
 Operating Temperature: -55°C ~ +105°C



PN: USB-A04CFFN



euro-conn



UNITS: mm

SHEET SIZE: ISO A4

SCALE:

> 0 ~ 3

> 3 ~ 18

> 18 ~ 50

> 50 ~ 120

± 0.12

± 0.15

± 0.3

± 0.5

! I prodotti e le caratteristiche possono cambiare senza preavviso.
 The products and their features may change without notice.

USB 2.0