

SPECIFICATIONS

Rated Current:3.0AMP

Contact Resistance:20mΩ Max

Withstand Voltage:1000V AC/DC

Insulation Resistance:1000MΩ Min

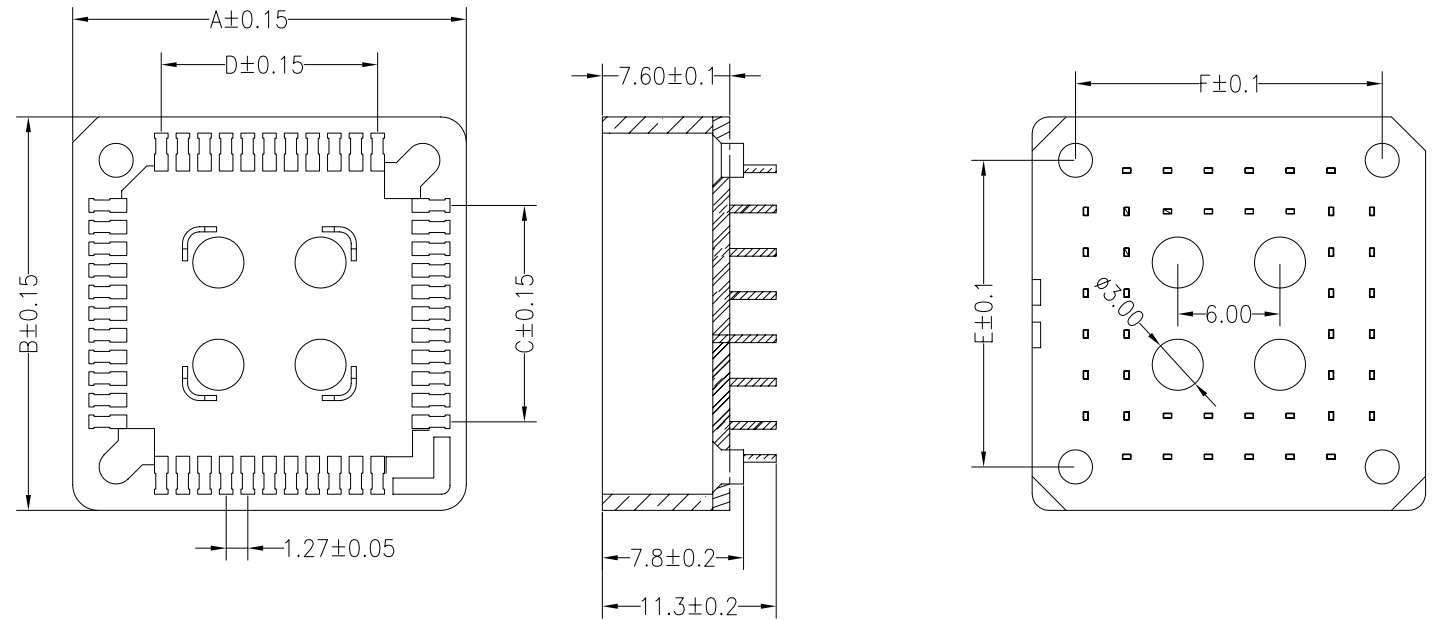
Operation Temperature:-40°C to +105°C

Contact Material:Phosphor Bronze

Contact Plating: Au or Sn Over Ni

Insulator Material:Polyester(UL94V-0)

Standard: PPS



General description of ordering code

| FAMILY | VERSION | N° PIN | HEIGHT | MATERIAL | PACKAGE |
|-----------|----------|-----------|----------|----------------|-----------------|
| PL | T | 20 | N | P [PPS] | T [tube] |
| | | 28 | | B [PBT] | |
| | | 32 | | | |
| | | 44 | | | |
| | | 52 | | | |
| | | 68 | | | |
| | | 84 | | | |

| Pin No. | A | B | C | D | E | F |
|---------|-------|-------|-------|-------|-------|-------|
| 20 | 15.6 | 15.6 | 5.08 | 5.08 | 10.0 | 10.0 |
| 28 | 18.09 | 18.09 | 7.62 | 7.62 | 12.90 | 12.90 |
| 32 | 18.04 | 20.60 | 7.62 | 10.16 | 15.40 | 12.90 |
| 44 | 23.10 | 23.10 | 12.70 | 12.70 | 18.00 | 18.00 |
| 52 | 25.70 | 25.70 | 15.24 | 15.24 | 20.50 | 20.50 |
| 68 | 30.80 | 30.80 | 20.32 | 20.32 | 25.75 | 25.75 |
| 84 | 35.95 | 35.95 | 25.40 | 25.40 | 30.90 | 30.90 |



euro-conn



UNITS: mm

SHEET SIZE: ISO A4

SCALE:---



First angle projection

> 0 ~ 3

> 3 ~ 18

> 18 ~ 50

> 50 ~ 120

± 0.12

± 0.15

± 0.3

± 0.5

IC-SOCKET