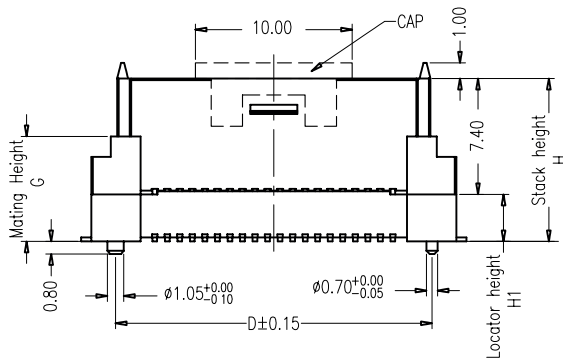
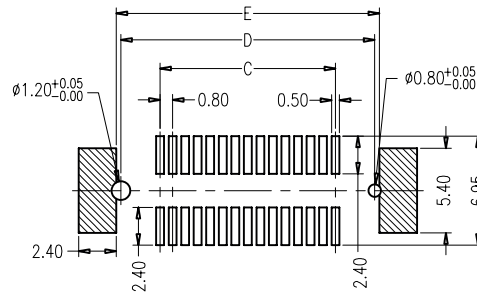
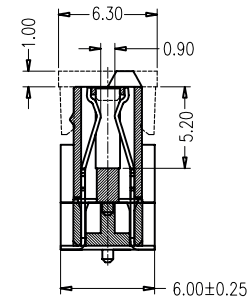


Recommended P.C.B Layout(Top Side)
(PCB BOARD TOLERANCE±0.05)



HEIGHT*	Dim H	Dim G	Dim H1
074	7.40	4.00	---
104	10.40	7.00	3.00
114	11.40	8.00	4.00
124	12.40	9.00	5.00
134	13.40	10.00	6.00



SPECIFICATIONS
PERFORMANCE

Electical Rating: AC/DC 50V 0.5A

Insulation Resistance: 500MΩ

Withstang Volt: 200V AC/minute

Opratng Temperature: -40°to+105°

Material

Contact: Phosphor Bronze Gold-Plated

Housing: LCP

Max.Processing Temp: 230°C for 30-60 seconds
(260°C for 10 seconds)

No. of Pins	Dimension				
	A	B	C	D	E
20	15.30	8.80	7.20	12.20	12.80
30	19.30	12.80	11.20	16.20	16.80
40	23.30	16.80	15.20	20.20	20.80
60	31.30	24.80	23.20	28.20	28.80
80	39.30	32.80	31.20	36.20	36.80
100	47.30	40.80	39.20	44.20	44.80
120	55.30	48.80	47.20	52.20	52.80
160	71.30	64.80	63.20	68.20	68.80

General description of ordering code

FAMILY	PITCH	N° PIN	VERSION	MODEL	PLATING	HEIGHT*	PEG	PACKAGE
STM	080	-	XX	M [straight]	S [socket]	F [gold flash]	YYY [Dimens. H]	1 [Standard]
					G [gold 5u]			T [tube]
					D [gold 15u]			R [reel+cap]



euro-conn



UNITS: mm

SHEET SIZE: ISO A4

SCALE: ----

> 0 ~ 3

> 3 ~ 18

> 18 ~ 50

> 50 ~ 120

± 0.12

± 0.15

± 0.3

± 0.5

! I prodotti e le caratteristiche possono cambiare senza preavviso.
The products and their features may change without notice.

BOARD TO BOARD