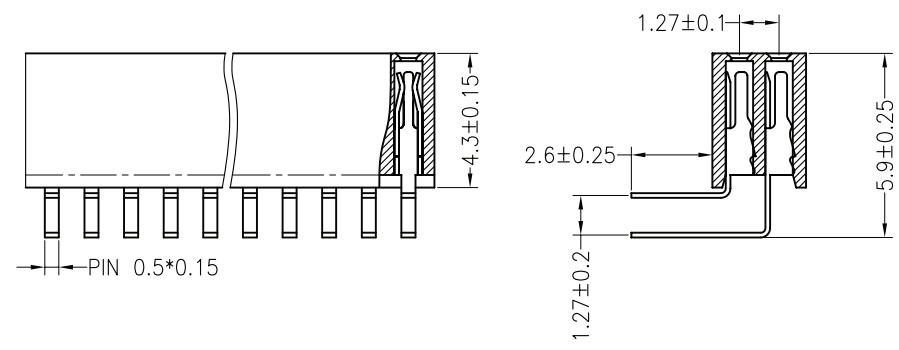
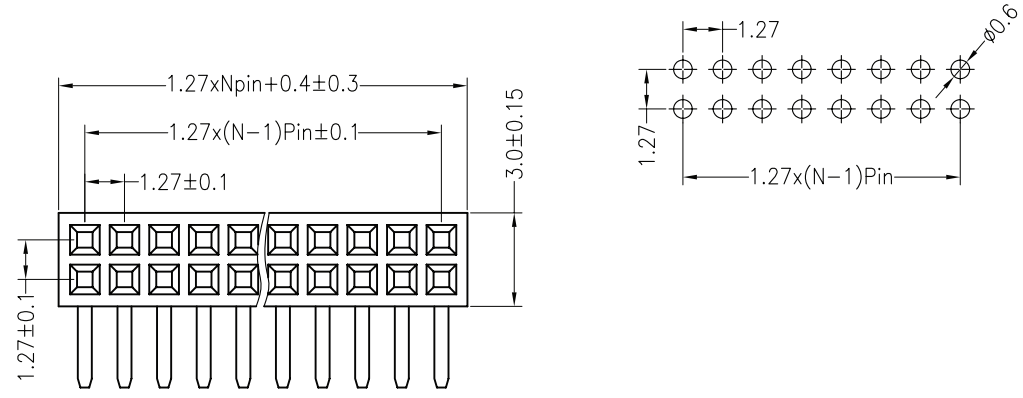


SPECIFICATIONS
 Rated Current:1.0AMP
 Contact Resistance:20mΩ Max
 Withstand Voltage:500V AC/DC
 Insulation Resistance:1000MΩ Min
 Operation Temperature:-40°c to +105°c

Contact Material:Brass
 Contact Plating:Au Over Ni
 Insulator Material:Polyester(UL94V-0)
 Standard: PA6T
 Max.Processing Temp: 230°C for 30-60 seconds
 (260°C for 10 seconds)

Recommended P.C.B Layout(Top Side)
 (PCB BOARD TOLERANCE±0.05)



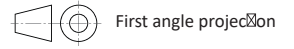
FAMILY	PITCH	N° ROWS	N° PIN P.R.	VERSION	CLIP PLATING	HEIGHT	OPTION	PACKAGE
FH	127	2	XX	R [straight]	F [flash gold]	043	00 [Standard]	T [tube]
					G [15u gold]			R [reel]



euro-conn



UNITS: mm		SHEET SIZE: ISO A4		SCALE:	
> 0 ~ 3	> 3 ~ 18	> 18 ~ 50	> 50 ~ 120		
± 0.12	± 0.15	± 0.3	± 0.5		



HEADER