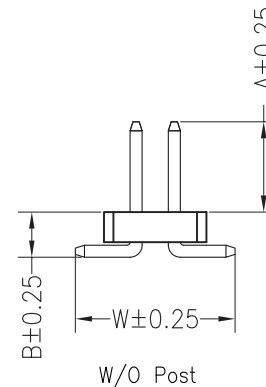
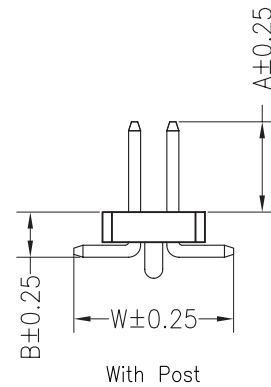
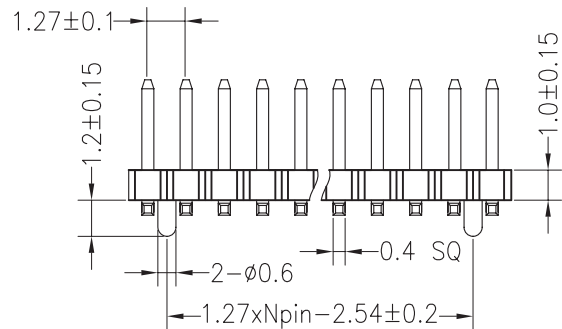
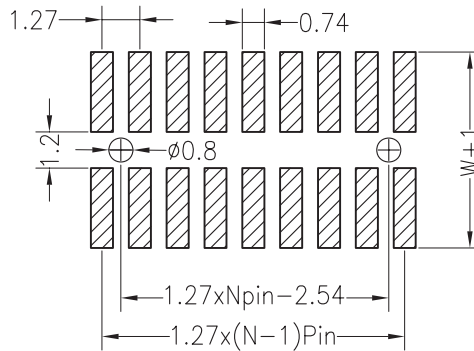
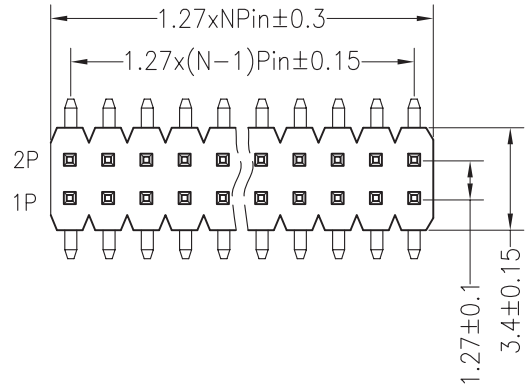


Recommended P.C.B Layout(Top Side)
(PCB BOARD TOLERANCE±0.05)



SPECIFICATIONS

Rated Current:1.0AMP
Contact Resistance:20mΩ Max
Withstand Voltage:500V AC/DC
Insulation Resistance:1000MΩ Min
Operation Temperature:-40°C to +105°C

Contact Material:Brass
Contact Plating:Au or Sn Over Ni
Insulator Material:Polyester(UL94V-0)
Standard: PA6T
Max.Processing Temp: 230°C for 30-60 seconds
(260°C for 10 seconds)

Dimension antitheses list			
ITEM	A	B	W
Standard	3.00	1.50	5.50

FAMILY	PITCH	N° ROWS	N° PIN P.R.	VERSION	CLIP PLATING	HEIGHT *	OPTION	SP_code*	POST	SPECIAL	PACKAGE
PH	127	2	XX	M [SMD straight]	F [flash gold]	YYY [height A]	G [isol. 1,0]	--	0 [without] P [with]	0 [standard]	T [tube] W [reel+caps] V [tray / bag]

*SP_code=alternate custom



euro-conn



FILE N. E356435

UNITS: mm

SHEET SIZE: ISO A4

SCALE:

> 0 ~ 3

> 3 ~ 18

> 18 ~ 50

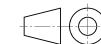
> 50 ~ 120

± 0.12

± 0.15

± 0.3

± 0.5



First angle projection

HEADER